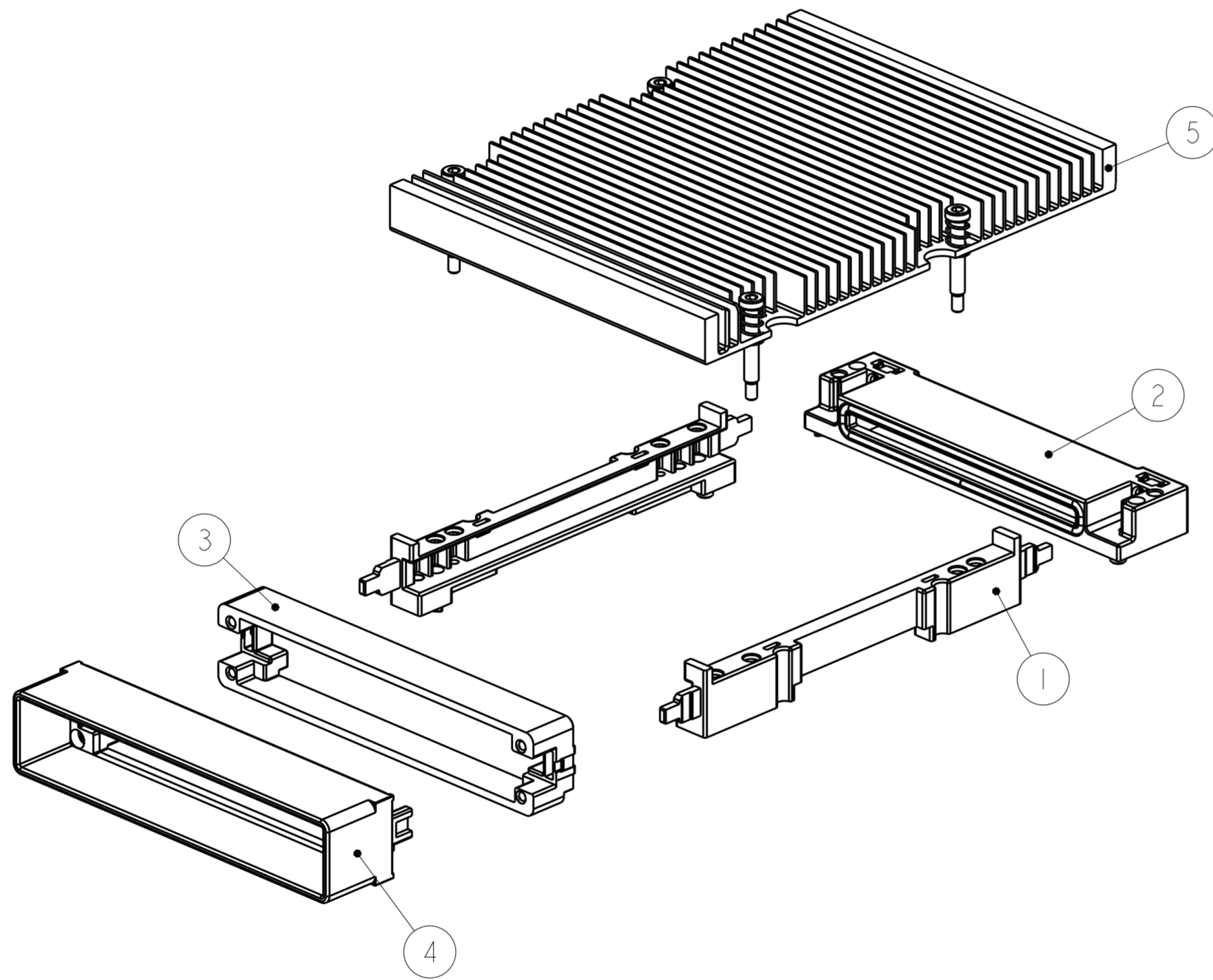


THIS DRAWING IS UNPUBLISHED. RELEASED FOR PUBLICATION 20
 © COPYRIGHT 20 BY - ALL RIGHTS RESERVED.

LOC	DIST	REVISIONS					
GP	00	P	LTR	DESCRIPTION	DATE	DWN	APVD
		B		REVISED PER ECO-12-021786	04MAR2013	CJV	MRS
		C		REVISED PER ECO-13-012622	27AUG2013	CJV	MRS



1	1963856-1	HEATSINK ASSEMBLY	5
1	2057626-1	EXTERNAL BRACKET ASSEMBLY	4
1	2057930-1	BACKER PLATE ASSEMBLY	3
1	2057631-1	CONNECTOR COVER ASSEMBLY	2
2	2057592-2	GUIDE RAIL	1
- 1	PART NUMBER	DESCRIPTION	ITEM NO

THIS DRAWING IS A CONTROLLED DOCUMENT.		DWN M. SHIRK 30DEC2009	STE TE Connectivity	
		CHK D. SZCZESNY 30DEC2009		
DIMENSIONS: mm		APVD -	NAME CFP HARDWARE KIT W/ HEATSINK, SIDE TO SIDE AIRFLOW	
TOLERANCES UNLESS OTHERWISE SPECIFIED: 0 PLC ± 1 PLC ± 2 PLC ± 3 PLC ± 4 PLC ± ANGLES ± FINISH		PRODUCT SPEC 108-2399	RESTRICTED TO	
MATERIAL		APPLICATION SPEC 114-13263	SIZE A200779	CAGE CODE C-2132404
		WEIGHT -	DRAWING NO -	
		CUSTOMER DRAWING	SCALE 1:1	SHEET 1 OF 1